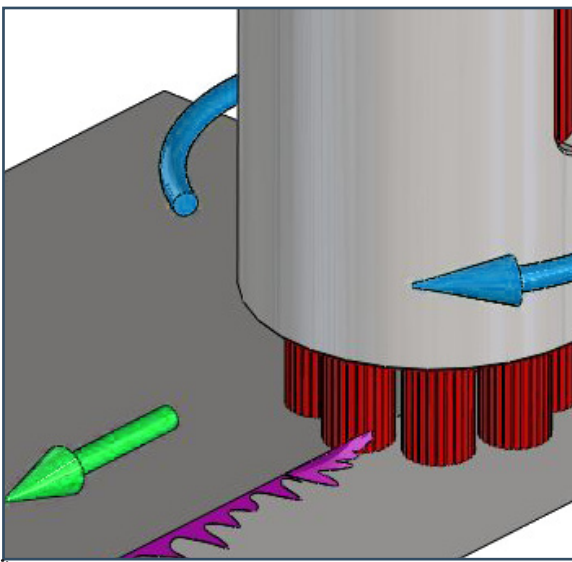


**Question:** How to decide the direction of rotation?

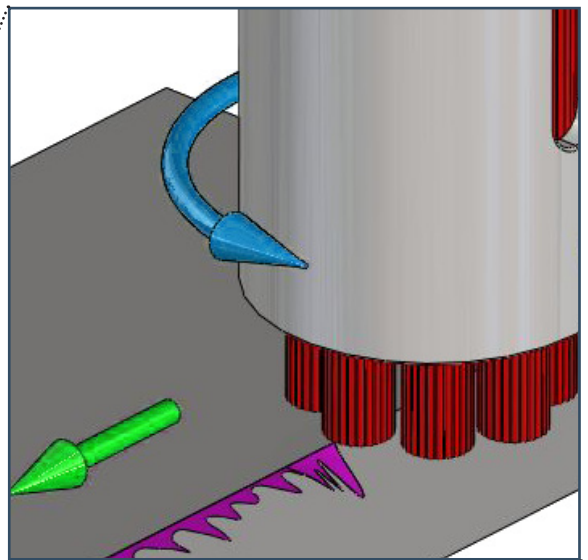
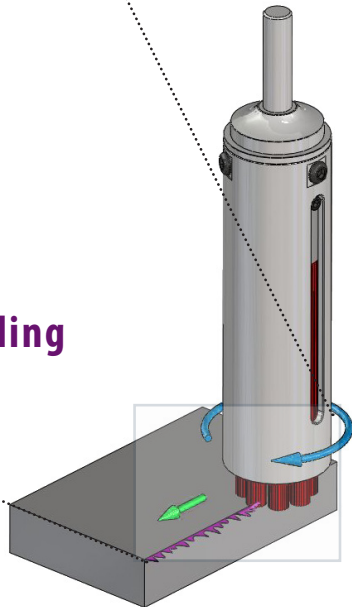
# Answer:

Rotation direction should be up cutting. Grinding power is greater when the rotation direction of the front side of traveling is against the burr generation (Climb milling).

## ROTATION DIRECTION OF THE BRUSH



**Climb Milling**



**Down Milling**

