



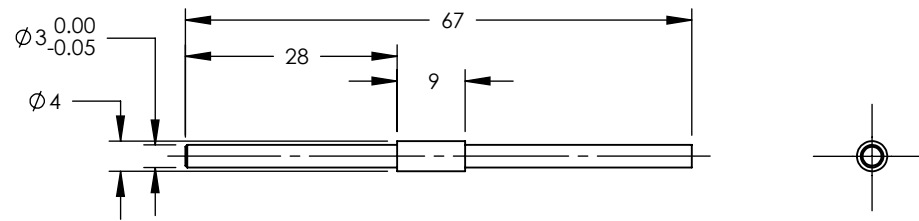
XEBEC®

DEBURRING
TECHNOLOGIES

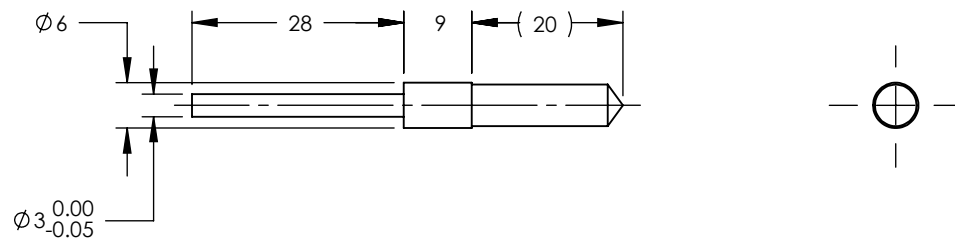
Download the Programming Files at
deburringtechnologies.com/technical.html

STEP, DXF & PDF files for Xebec™

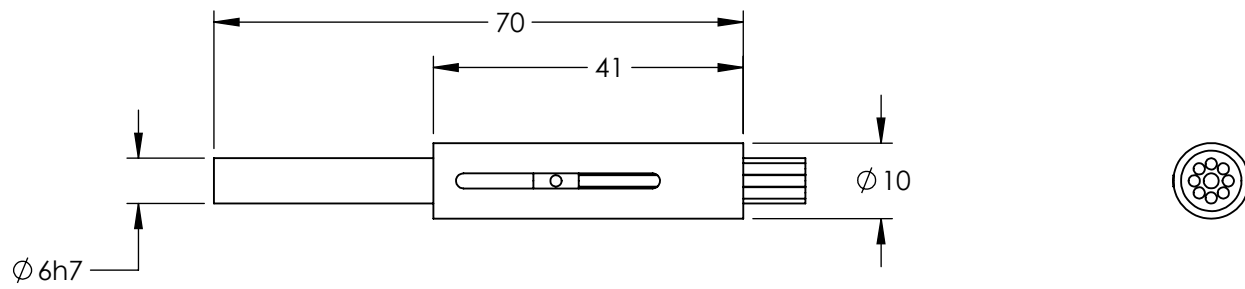
- Brush Surface
- Brush Extra Large
- Brush End Type
- Wheel Brush
- Floating Holder
- Self-Adjusting Sleeve



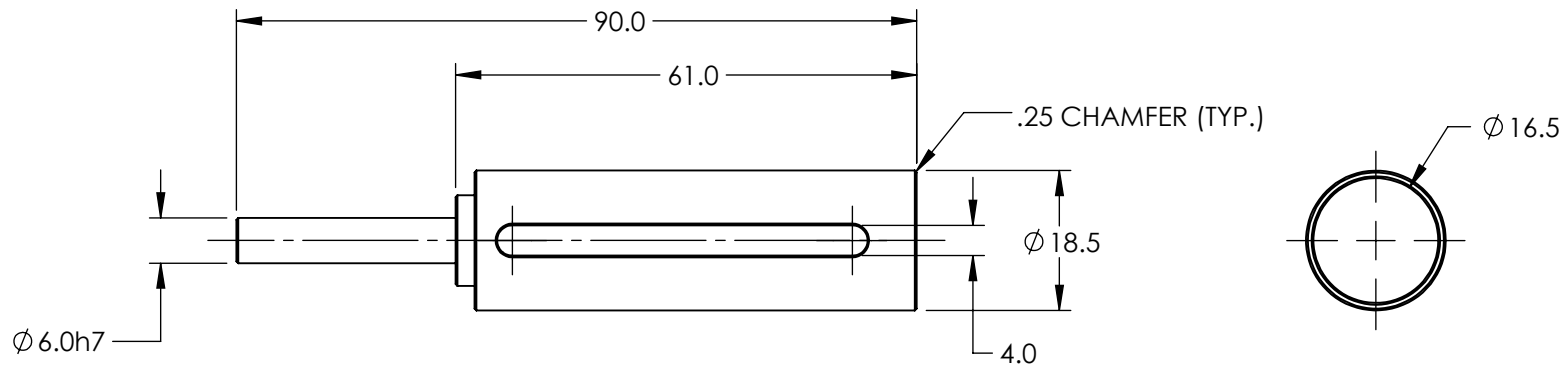
Xebec products are protected by intellectual property rights. Technical information, such as prints and programming files, are shared for the exclusive use of Xebec / Deburring Technology customers for their internal use only to assist with machine programming and manufacturing process development. No materials are to be reproduced for any other reason nor communicated in any form outside of the intended Xebec customer.



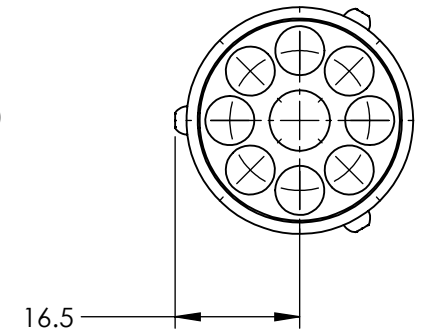
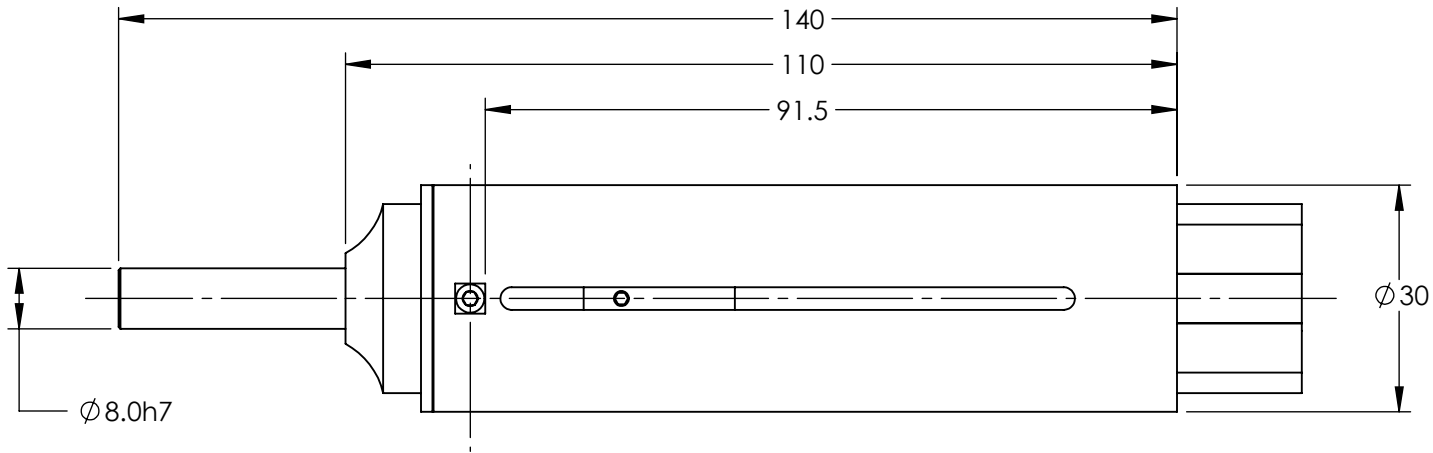
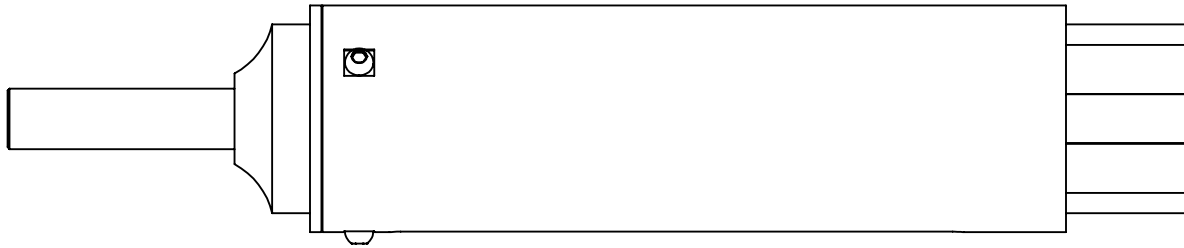
Xebec products are protected by intellectual property rights. Technical information, such as prints and programming files, are shared for the exclusive use of Xebec / Deburring Technology customers for their internal use only to assist with machine programming and manufacturing process development. No materials are to be reproduced for any other reason nor communicated in any form outside of the intended Xebec customer.



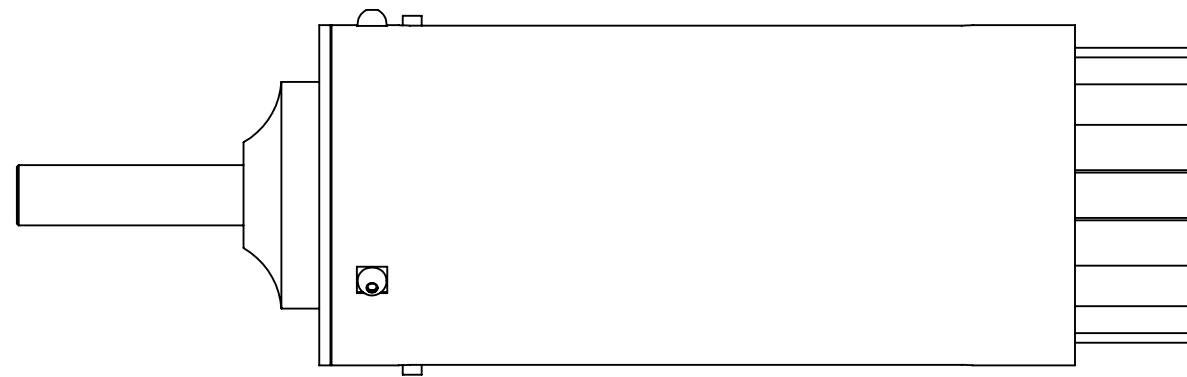
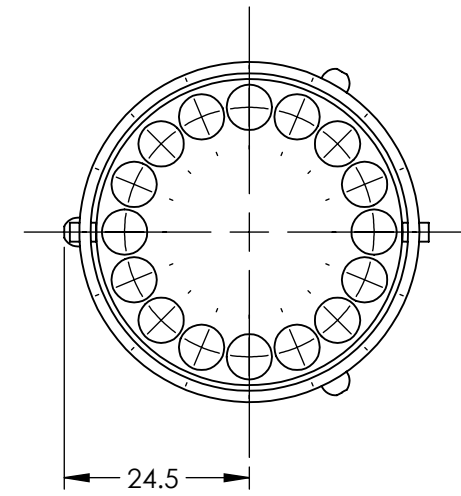
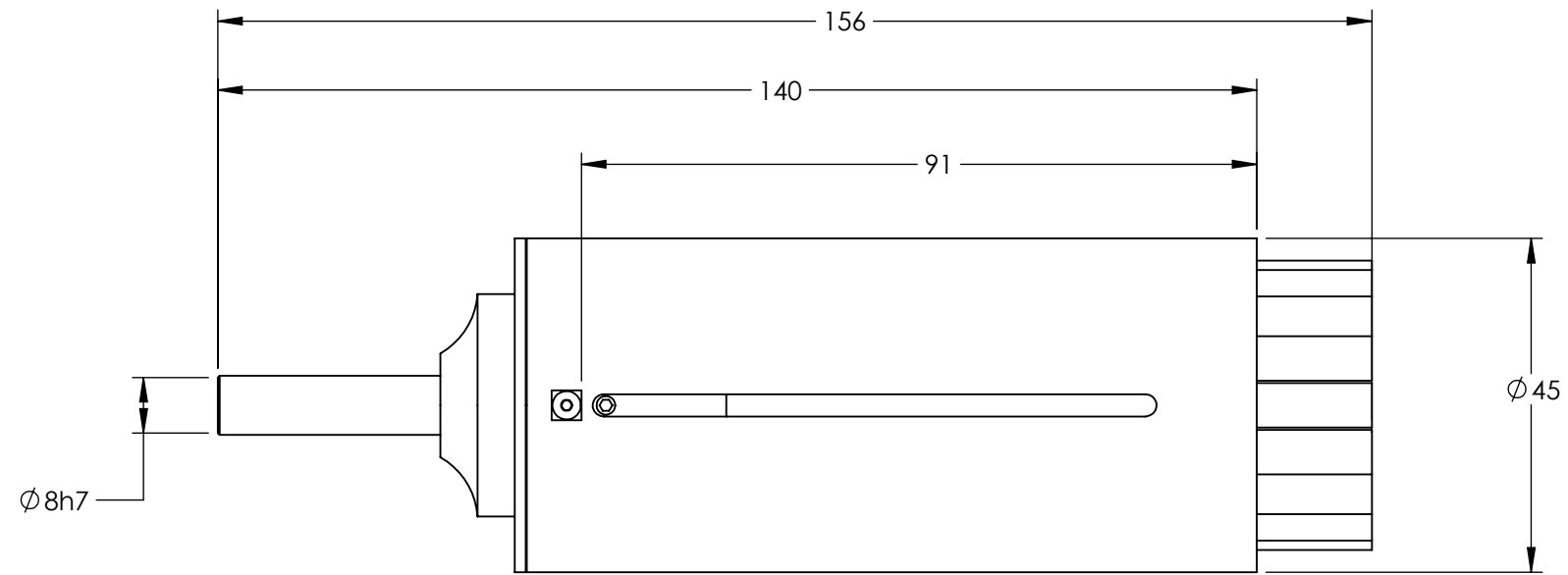
Xebec products are protected by intellectual property rights. Technical information, such as prints and programming files, are shared for the exclusive use of Xebec / Deburring Technology customers for their internal use only to assist with machine programming and manufacturing process development. No materials are to be reproduced for any other reason nor communicated in any form outside of the intended Xebec customer.



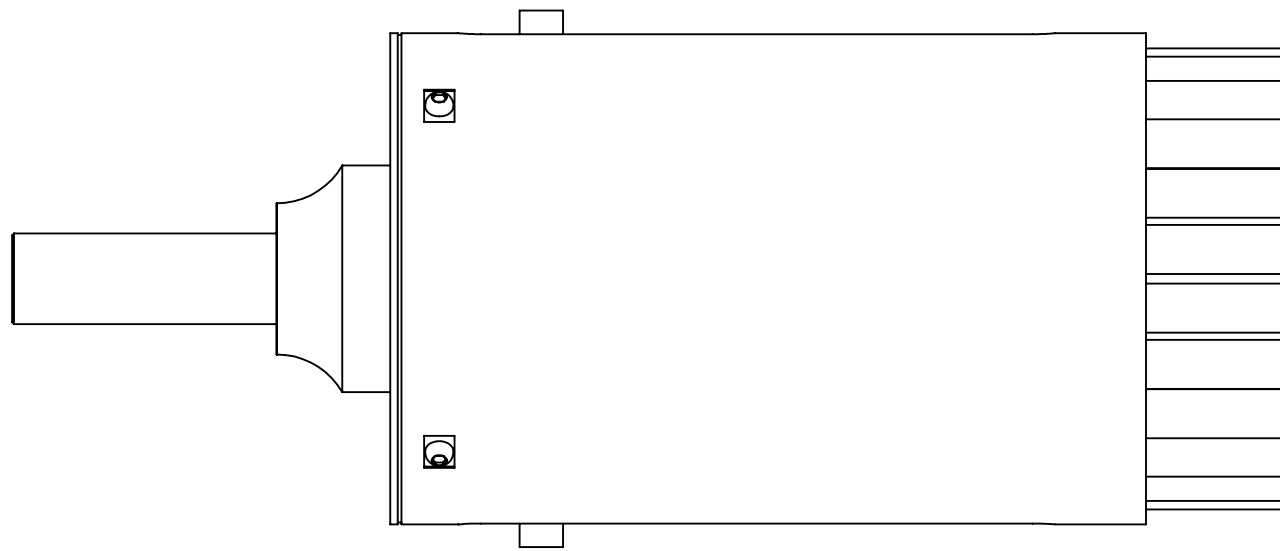
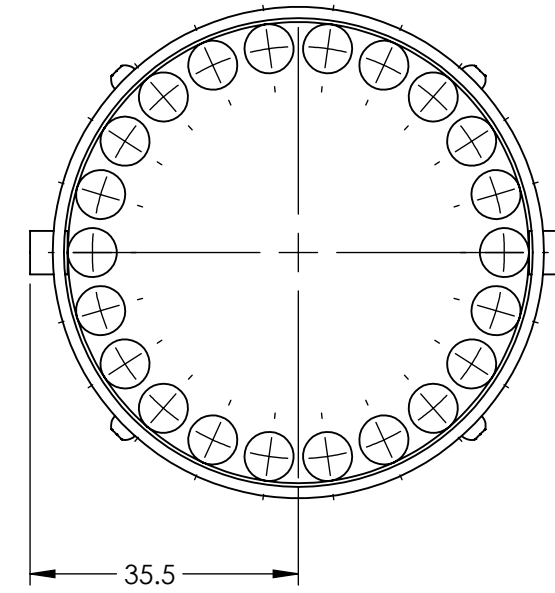
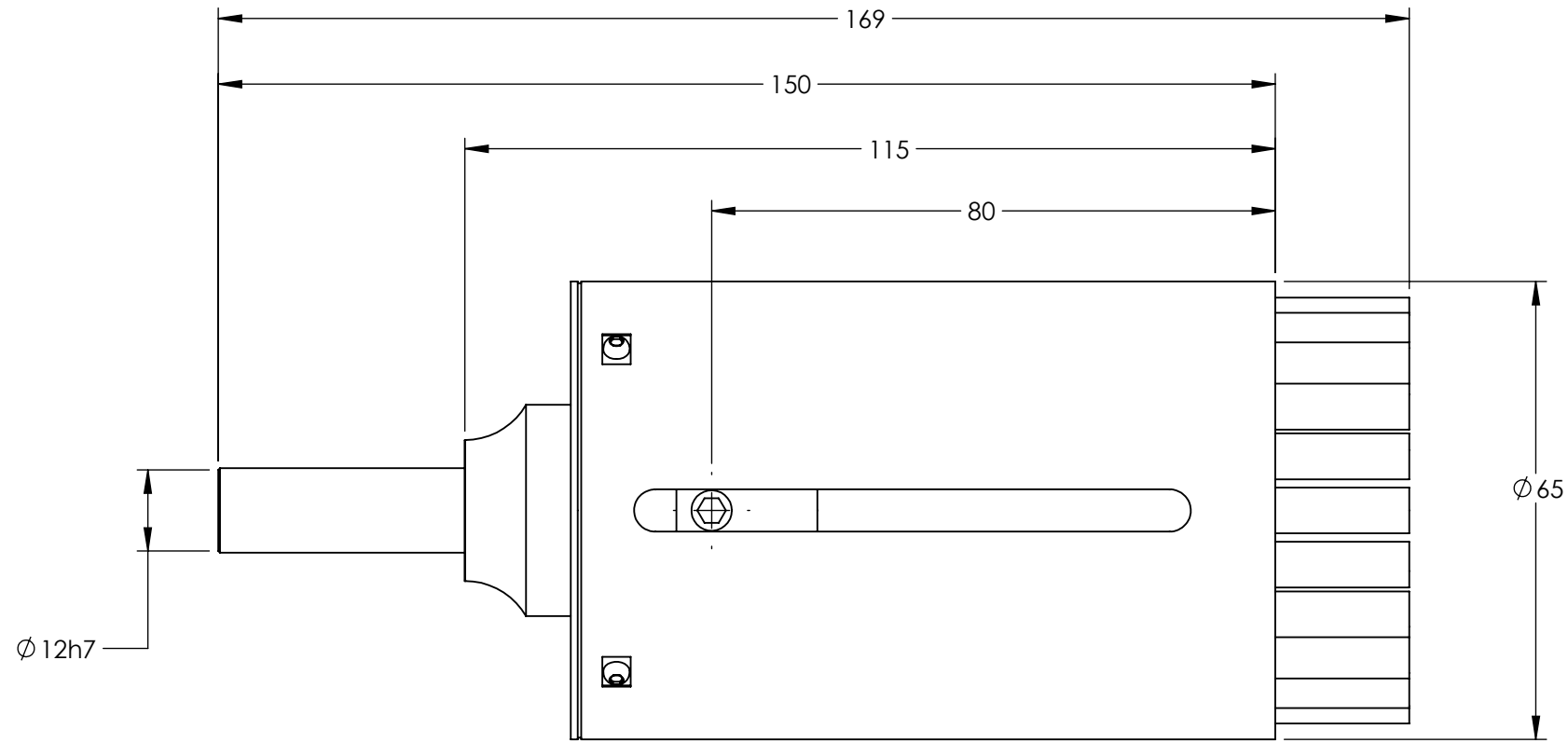
Xebec products are protected by intellectual property rights. Technical information, such as prints and programming files, are shared for the exclusive use of Xebec / Deburring Technology customers for their internal use only to assist with machine programming and manufacturing process development. No materials are to be reproduced for any other reason nor communicated in any form outside of the intended Xebec customer.



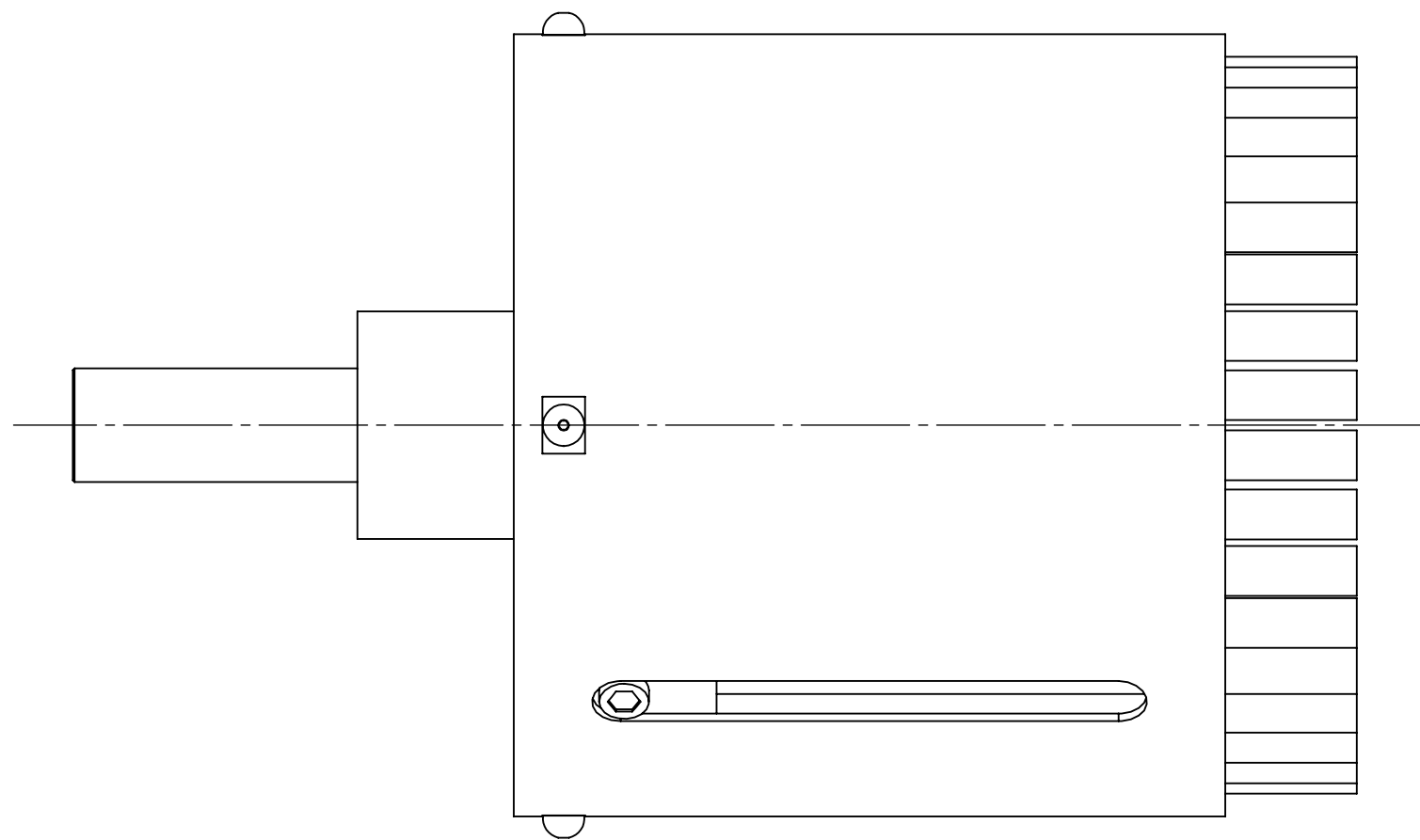
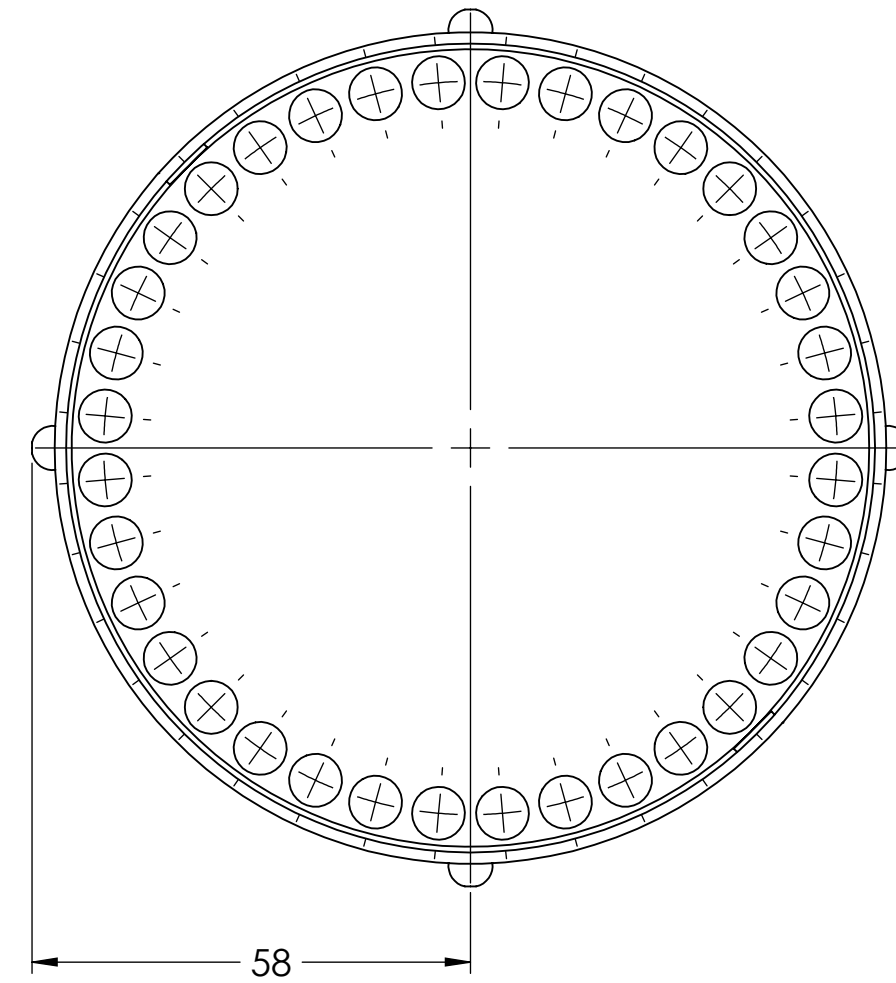
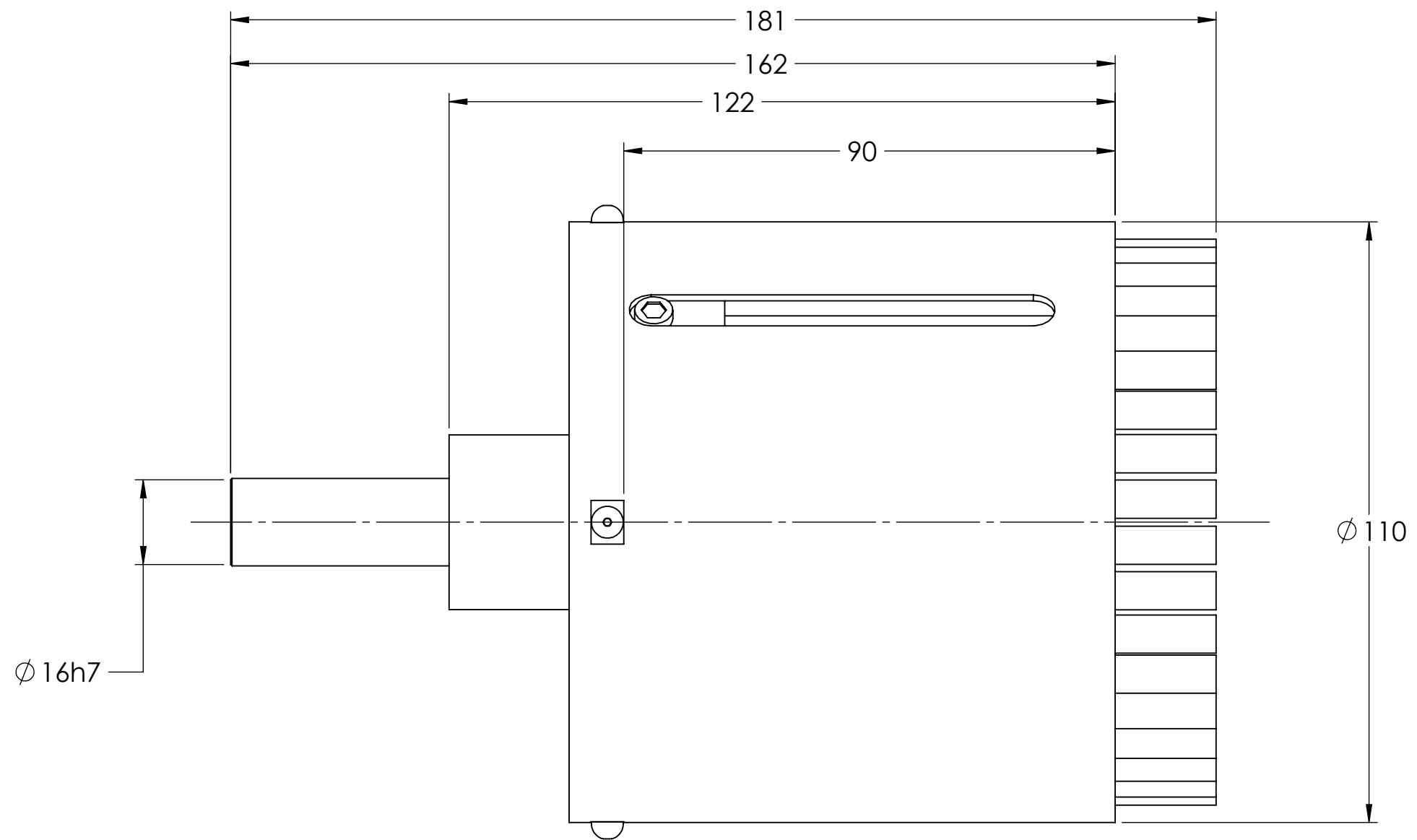
Xebec products are protected by intellectual property rights. Technical information, such as prints and programming files, are shared for the exclusive use of Xebec / Deburring Technology customers for their internal use only to assist with machine programming and manufacturing process development. No materials are to be reproduced for any other reason nor communicated in any form outside of the intended Xebec customer.



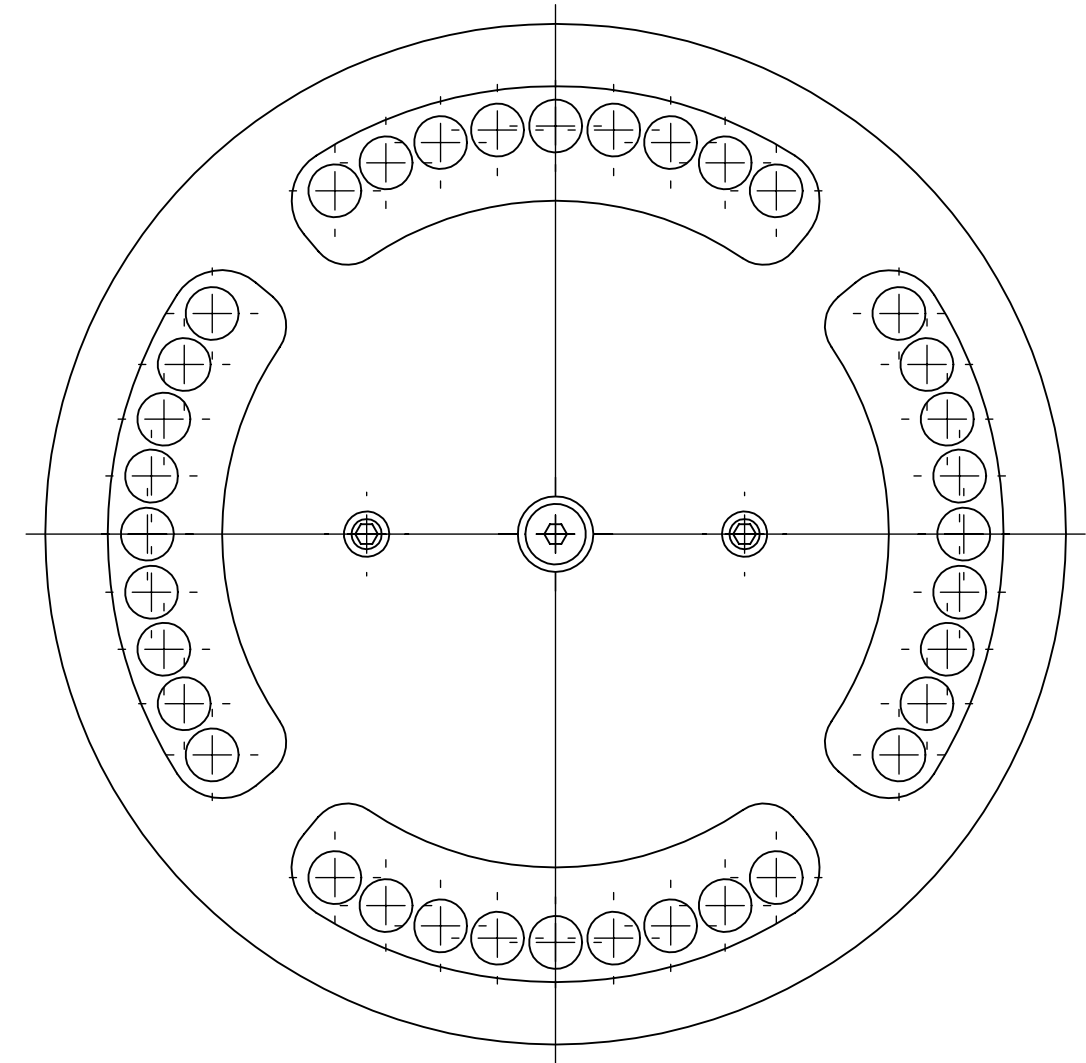
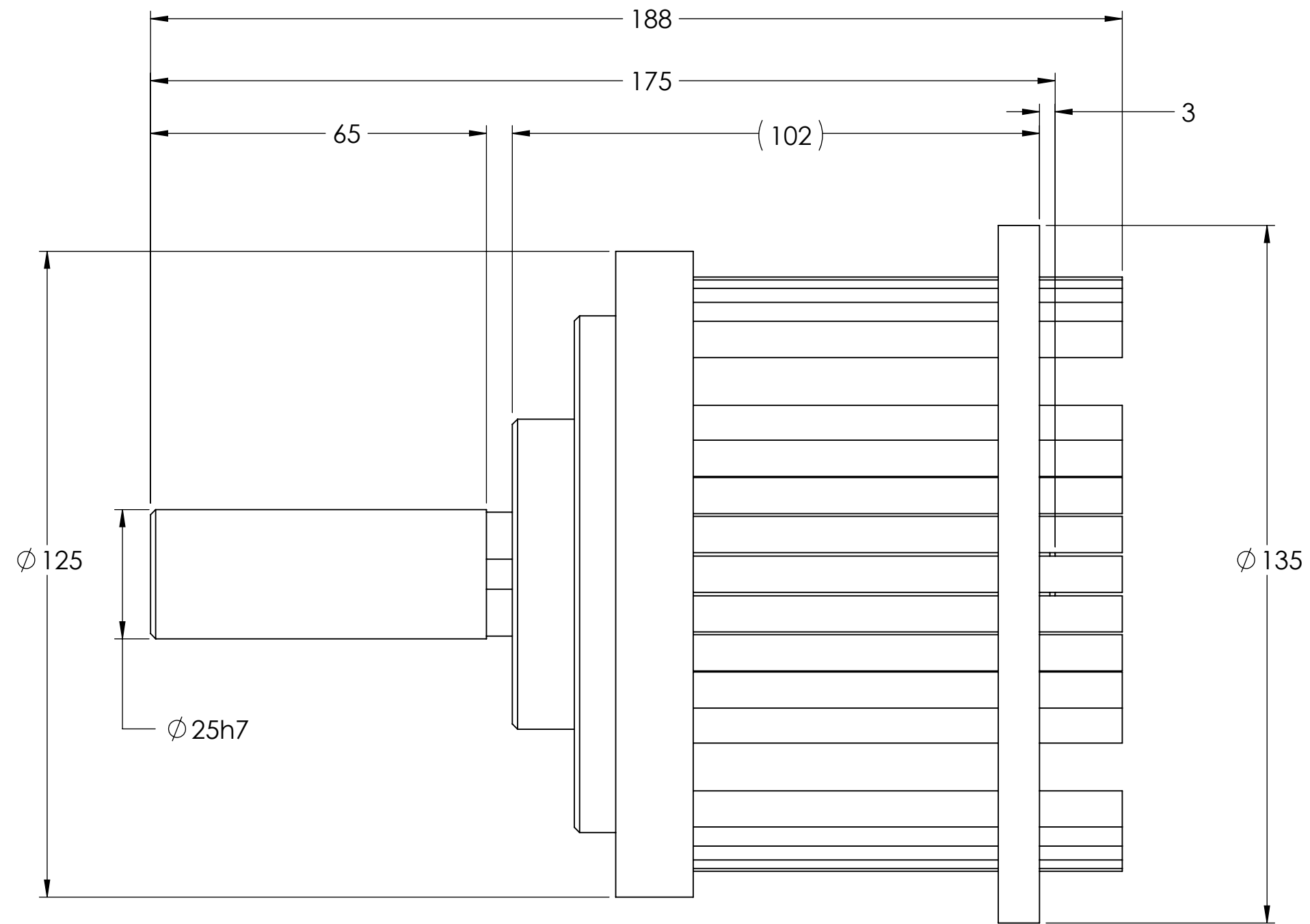
Xebec products are protected by intellectual property rights. Technical information, such as prints and programming files, are shared for the exclusive use of Xebec / Deburring Technology customers for their internal use only to assist with machine programming and manufacturing process development. No materials are to be reproduced for any other reason nor communicated in any form outside of the intended Xebec customer.



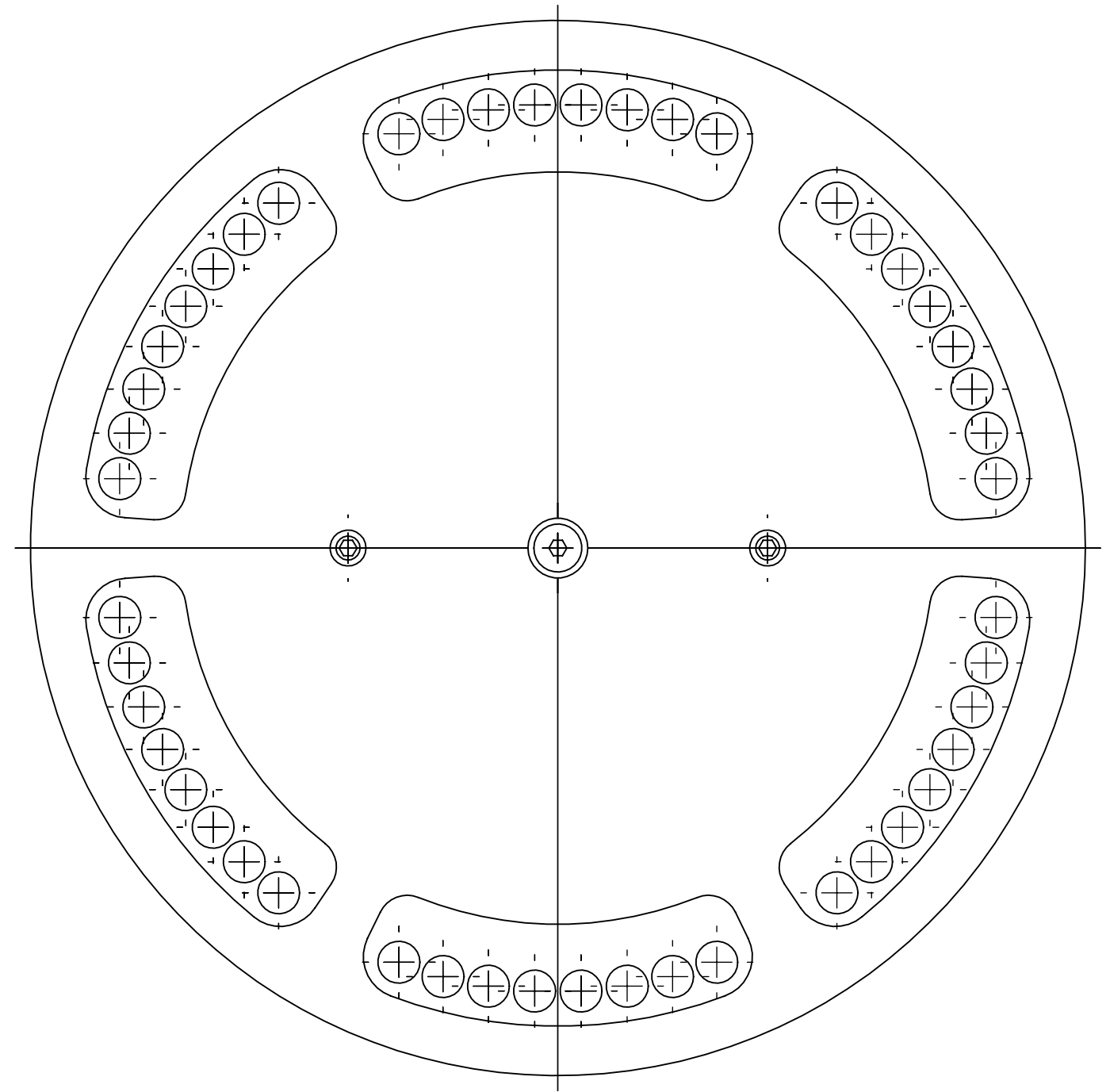
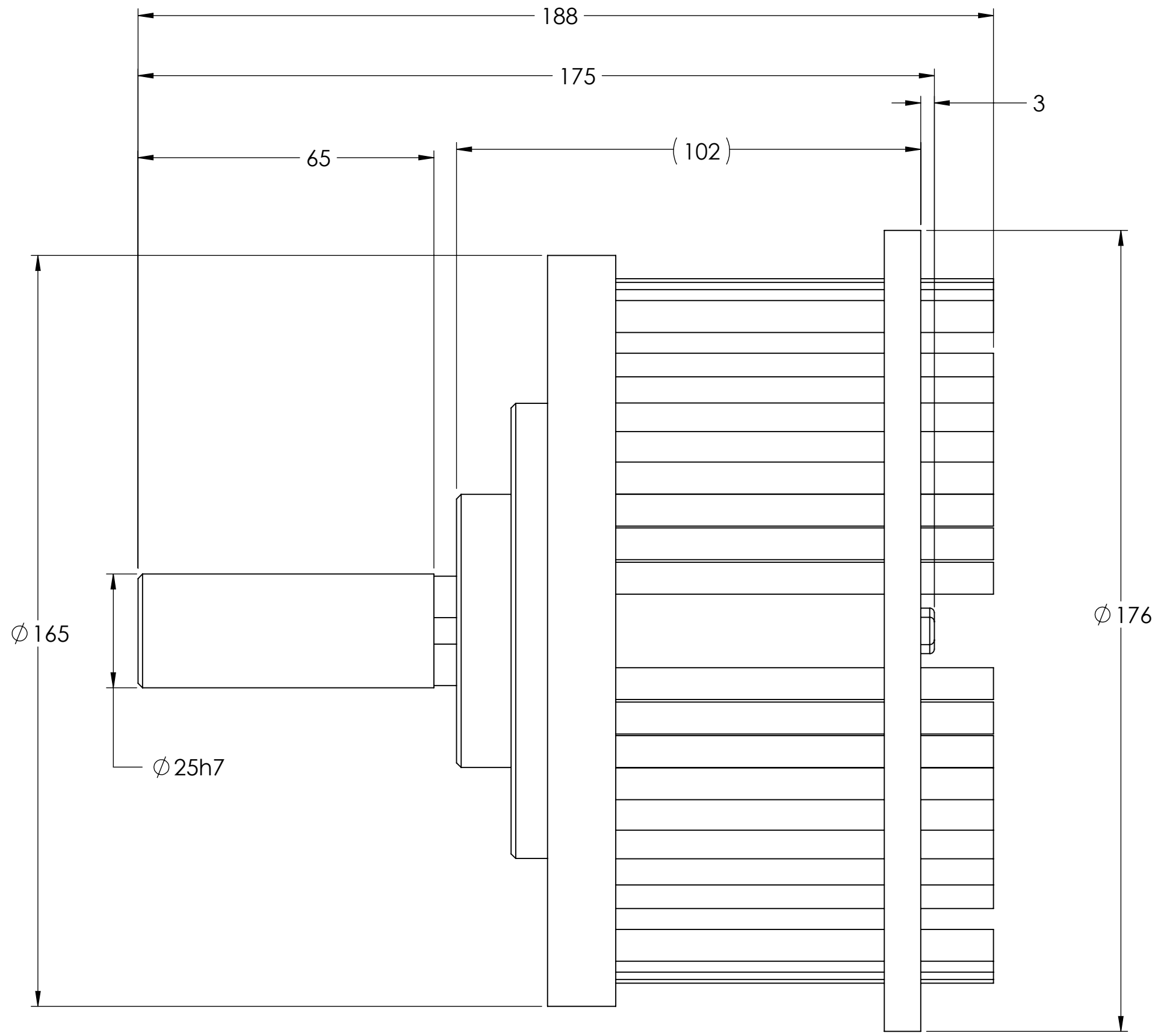
Xebec products are protected by intellectual property rights. Technical information, such as prints and programming files, are shared for the exclusive use of Xebec / Deburring Technology customers for their internal use only to assist with machine programming and manufacturing process development. No materials are to be reproduced for any other reason nor communicated in any form outside of the intended Xebec customer.



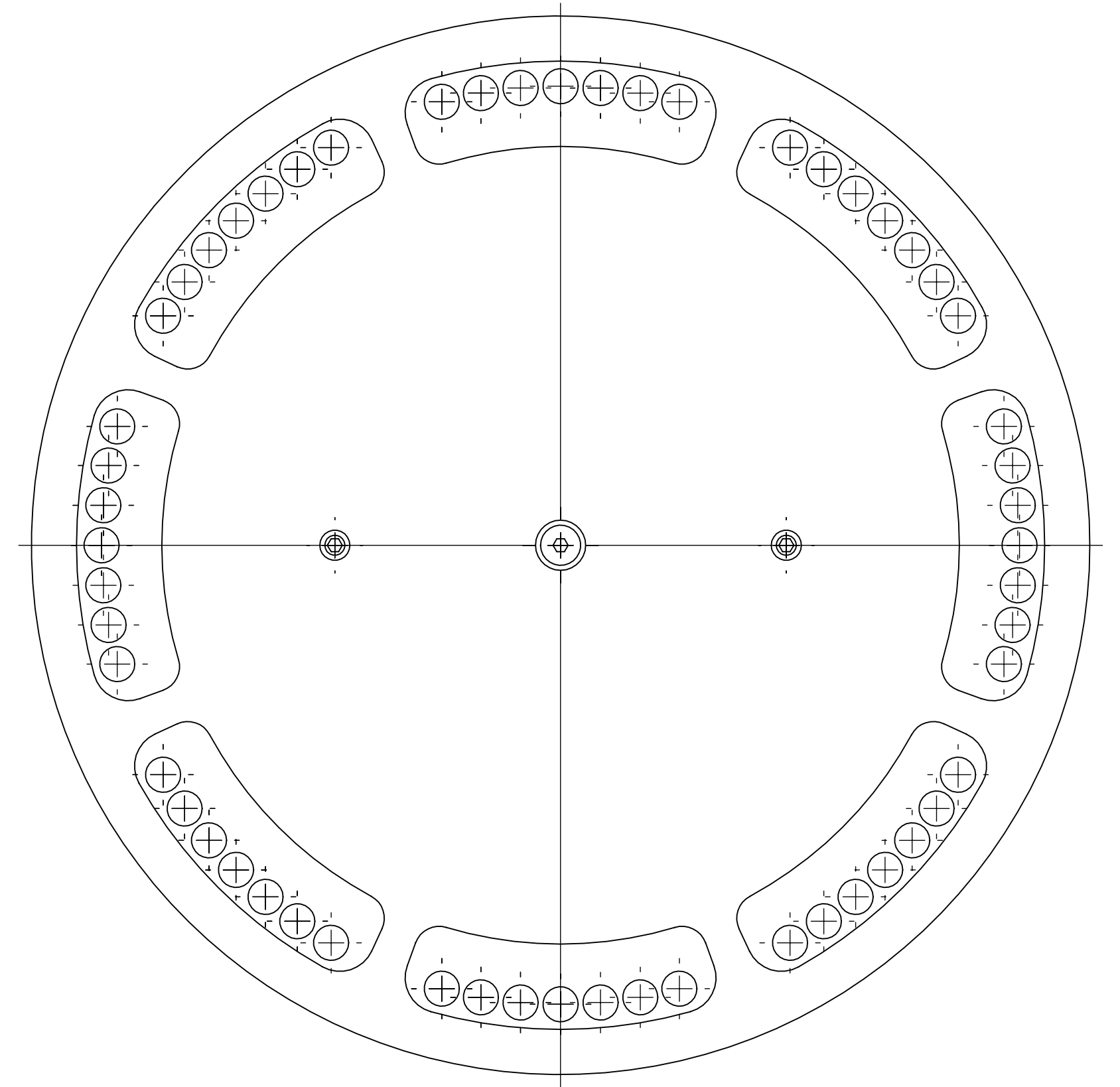
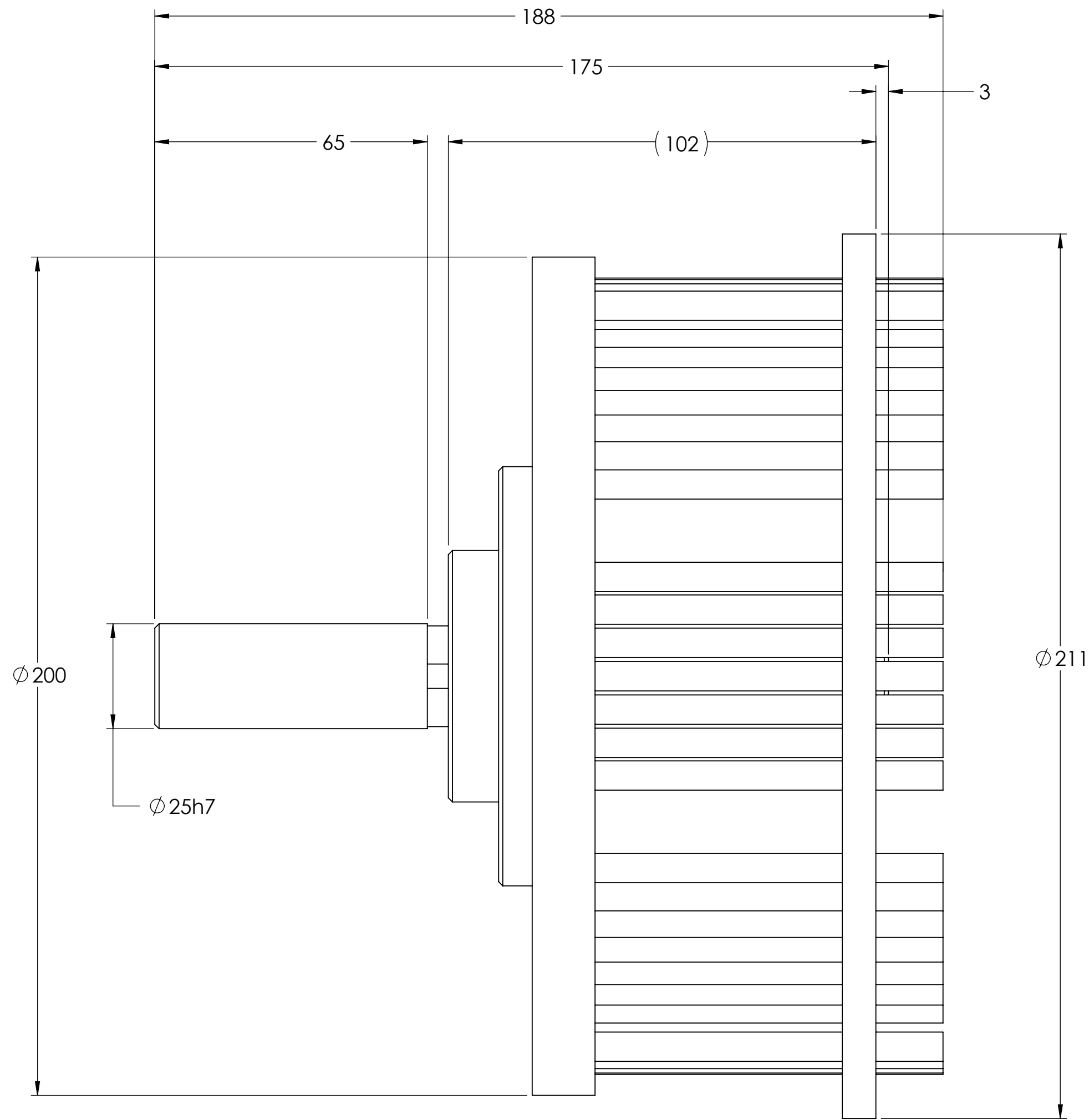
Xebec products are protected by intellectual property rights. Technical information, such as prints and programming files, are shared for the exclusive use of Xebec / Deburring Technology customers for their internal use only to assist with machine programming and manufacturing process development. No materials are to be reproduced for any other reason nor communicated in any form outside of the intended Xebec customer.



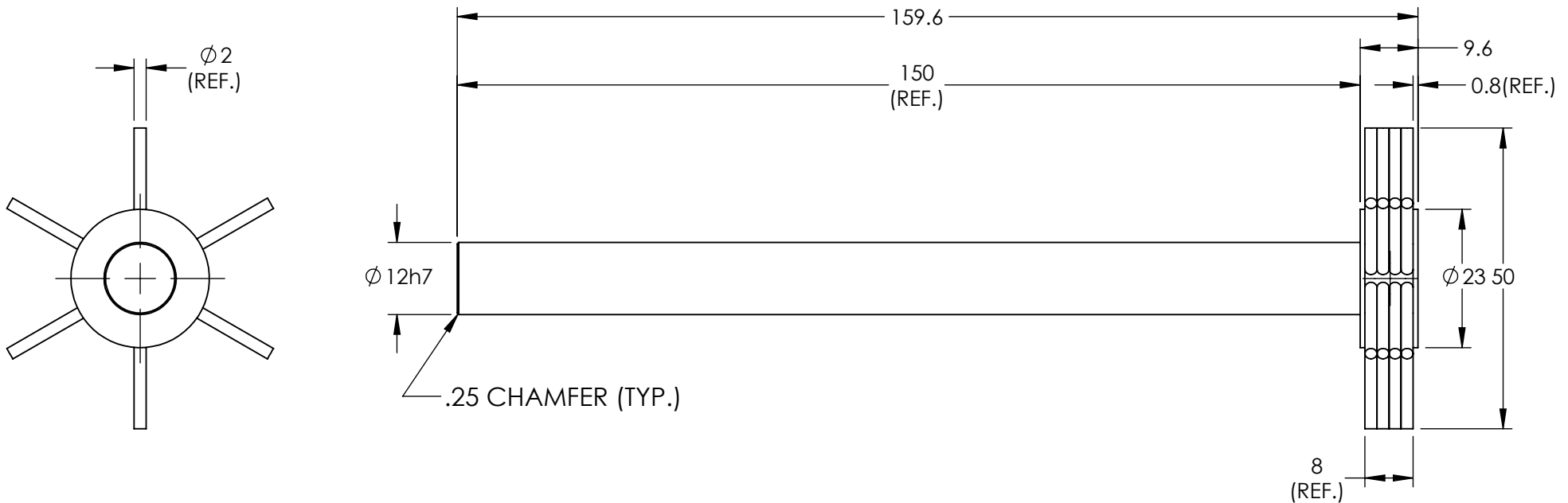
Xebec products are protected by intellectual property rights. Technical information, such as prints and programming files, are shared for the exclusive use of Xebec / Deburring Technology customers for their internal use only to assist with machine programming and manufacturing process development. No materials are to be reproduced for any other reason nor communicated in any form outside of the intended Xebec customer.



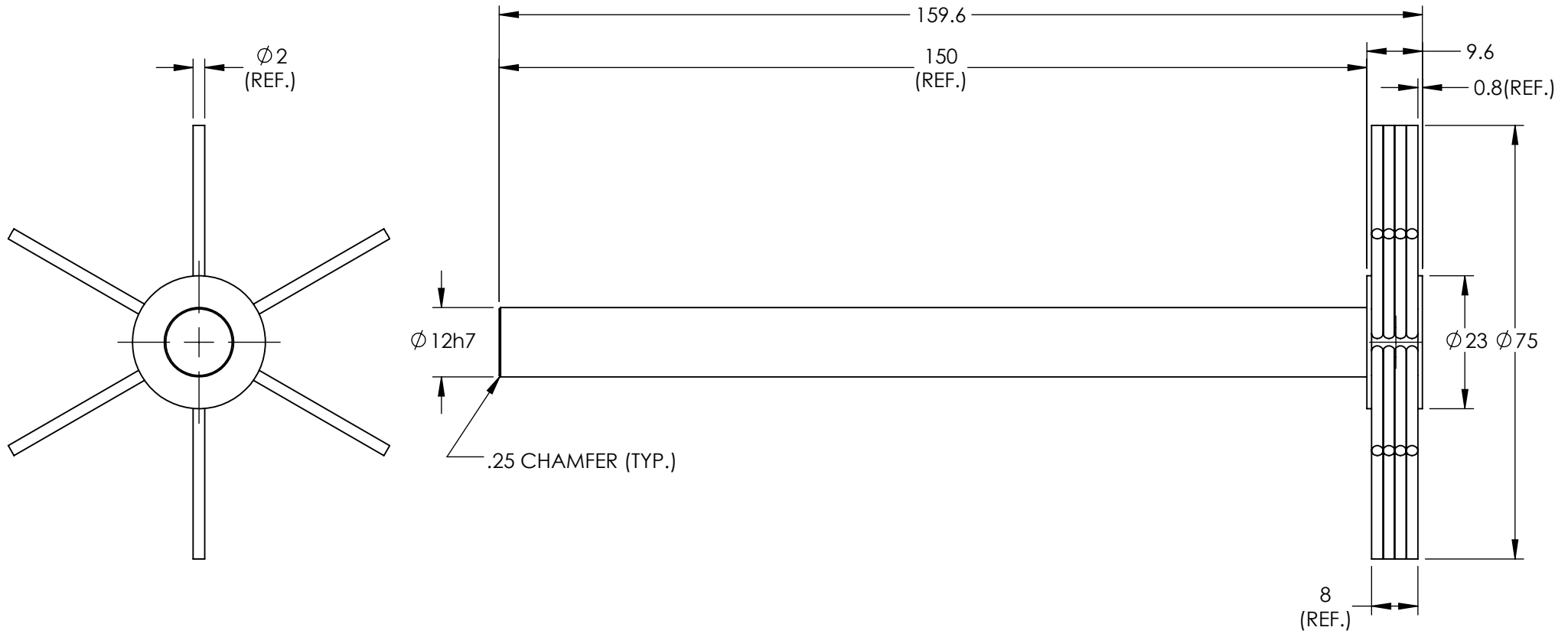
Xebec products are protected by intellectual property rights. Technical information, such as prints and programming files, are shared for the exclusive use of Xebec / Deburring Technology customers for their internal use only to assist with machine programming and manufacturing process development. No materials are to be reproduced for any other reason nor communicated in any form outside of the intended Xebec customer.



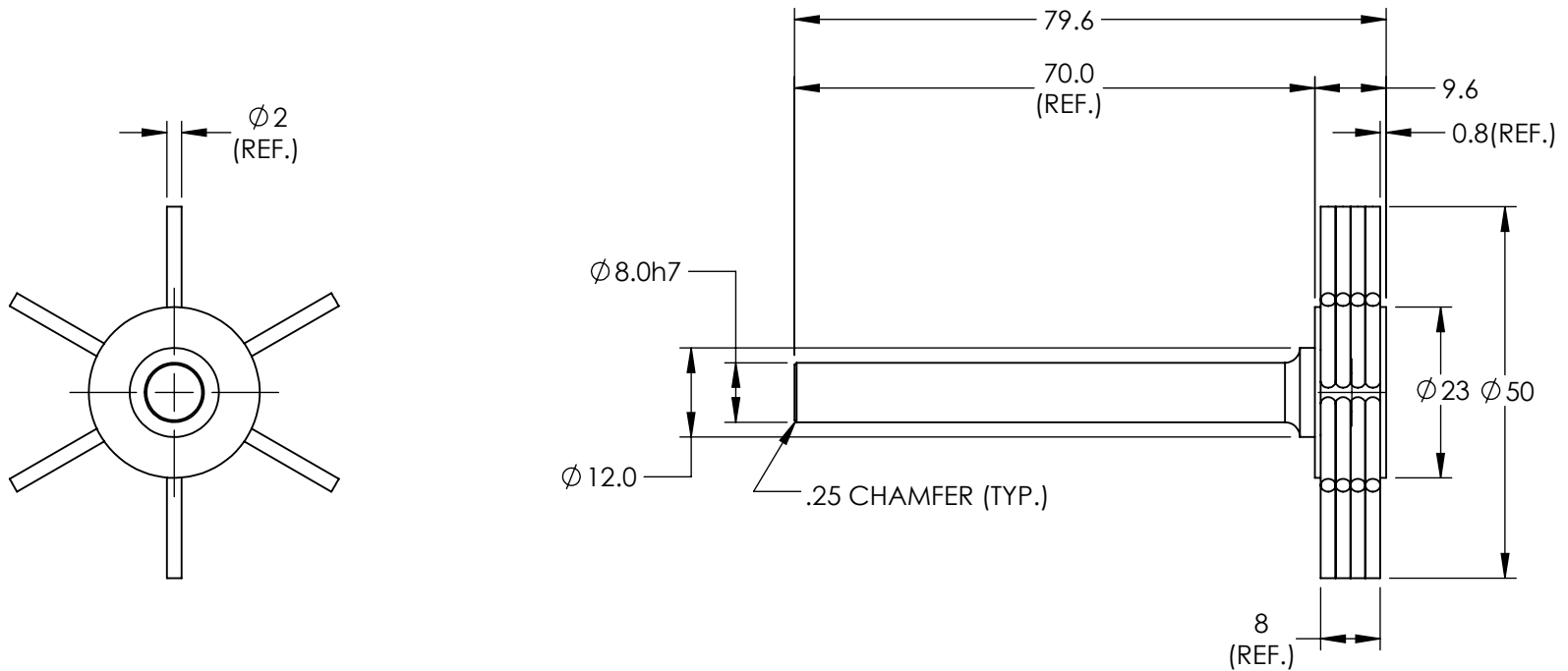
Xebec products are protected by intellectual property rights. Technical information, such as prints and programming files, are shared for the exclusive use of Xebec / Deburring Technology customers for their internal use only to assist with machine programming and manufacturing process development. No materials are to be reproduced for any other reason nor communicated in any form outside of the intended Xebec customer.



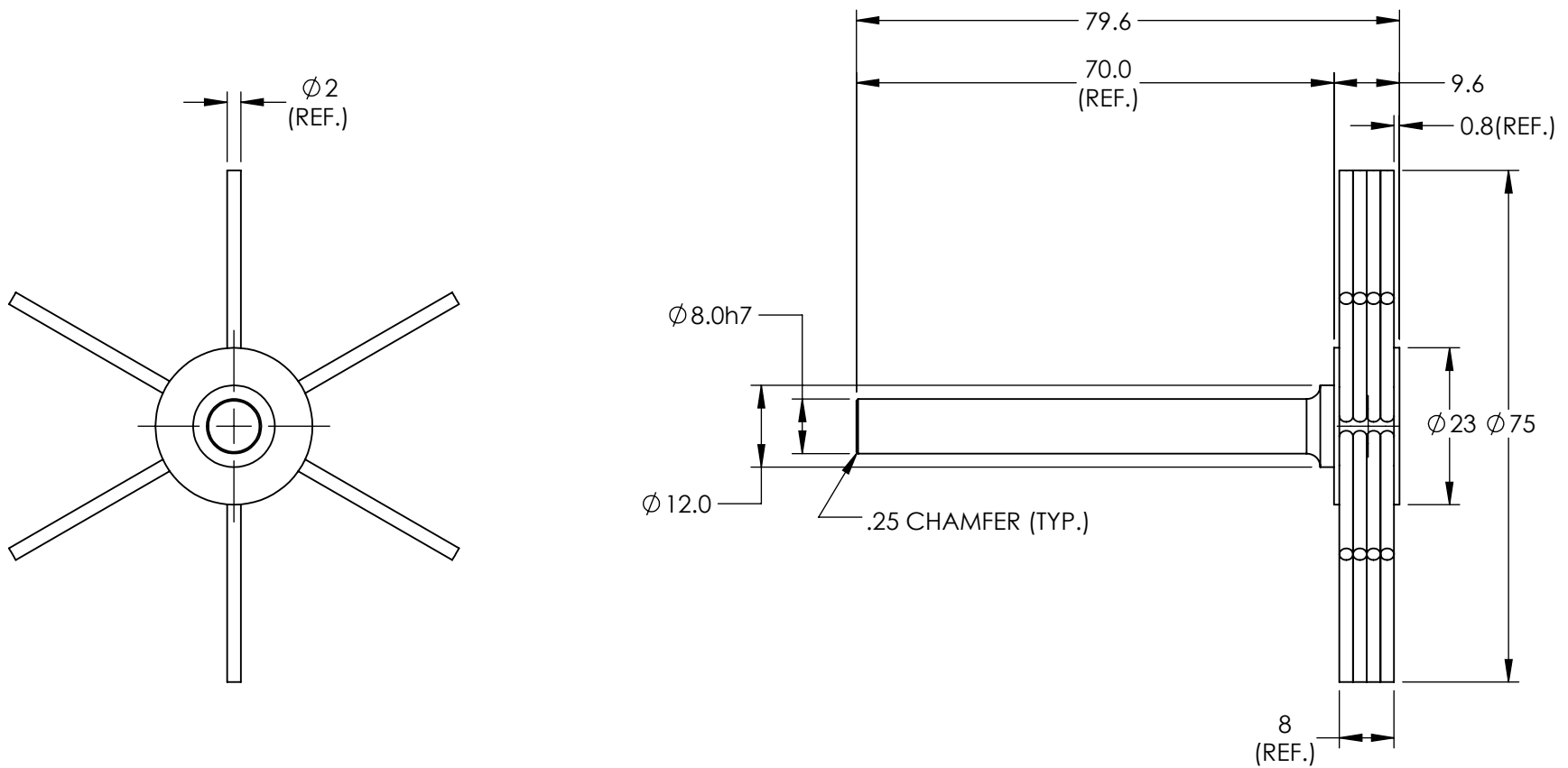
Xebec products are protected by intellectual property rights. Technical information, such as prints and programming files, are shared for the exclusive use of Xebec / Deburring Technology customers for their internal use only to assist with machine programming and manufacturing process development. No materials are to be reproduced for any other reason nor communicated in any form outside of the intended Xebec customer.



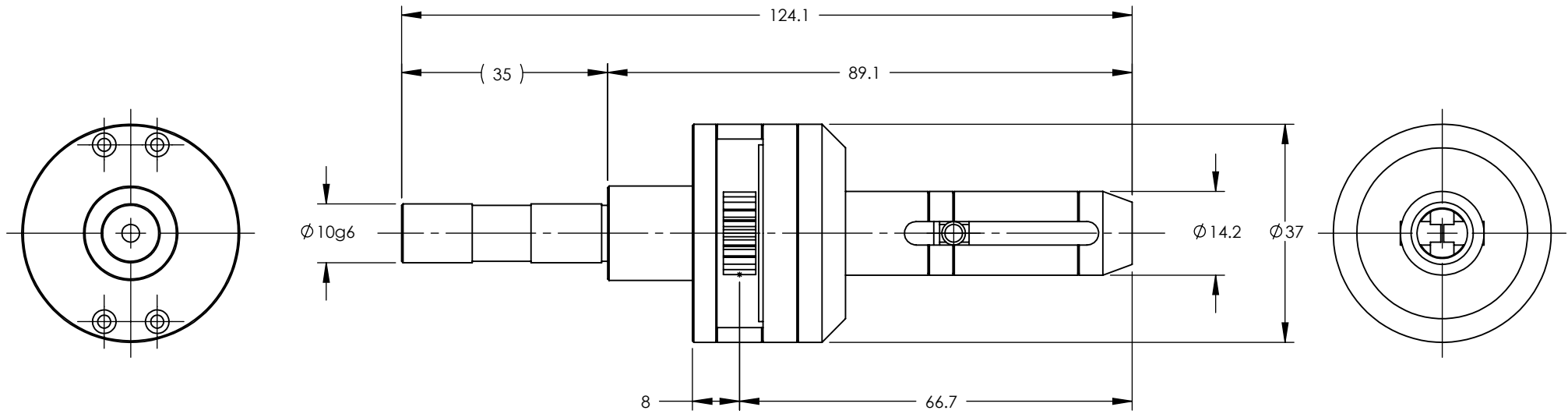
Xebec products are protected by intellectual property rights. Technical information, such as prints and programming files, are shared for the exclusive use of Xebec / Deburring Technology customers for their internal use only to assist with machine programming and manufacturing process development. No materials are to be reproduced for any other reason nor communicated in any form outside of the intended Xebec customer.



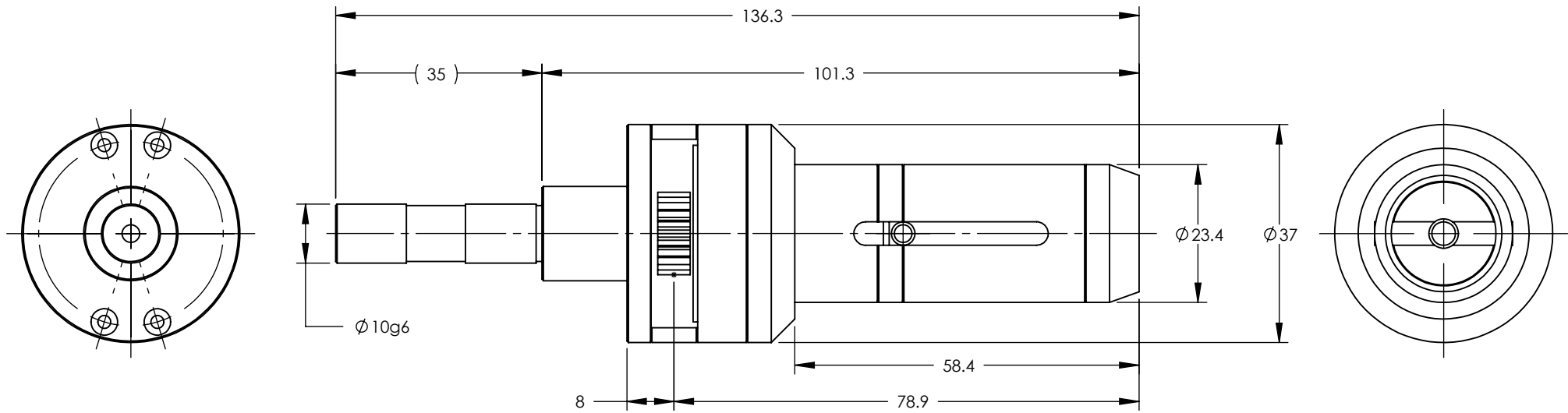
Xebec products are protected by intellectual property rights. Technical information, such as prints and programming files, are shared for the exclusive use of Xebec / Deburring Technology customers for their internal use only to assist with machine programming and manufacturing process development. No materials are to be reproduced for any other reason nor communicated in any form outside of the intended Xebec customer.



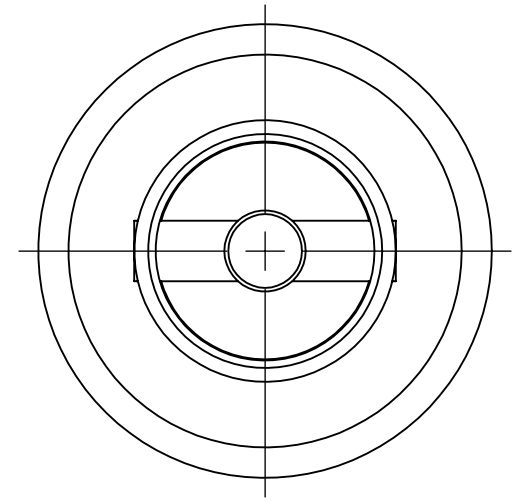
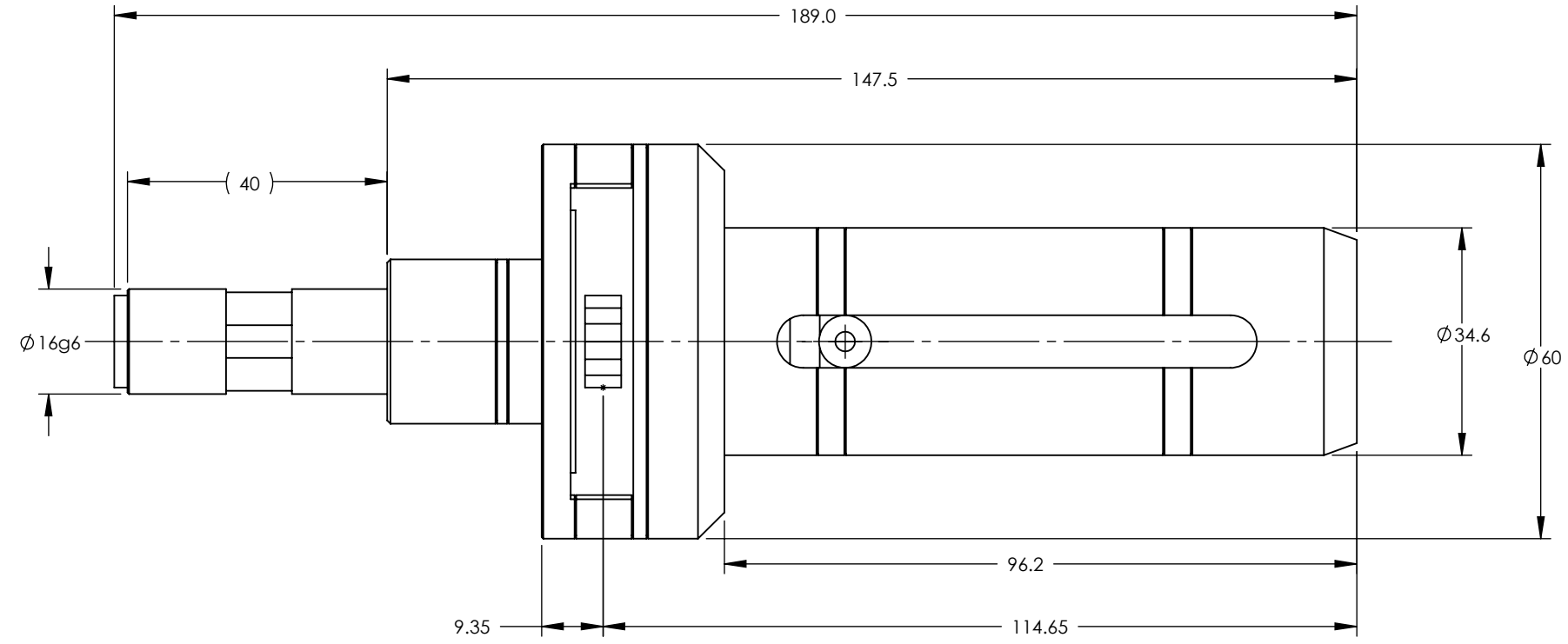
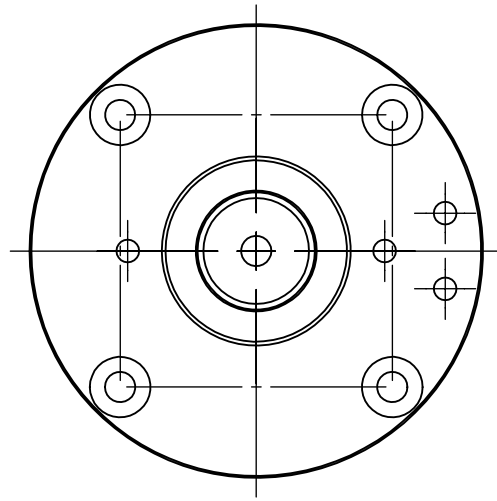
Xebec products are protected by intellectual property rights. Technical information, such as prints and programming files, are shared for the exclusive use of Xebec / Deburring Technology customers for their internal use only to assist with machine programming and manufacturing process development. No materials are to be reproduced for any other reason nor communicated in any form outside of the intended Xebec customer.



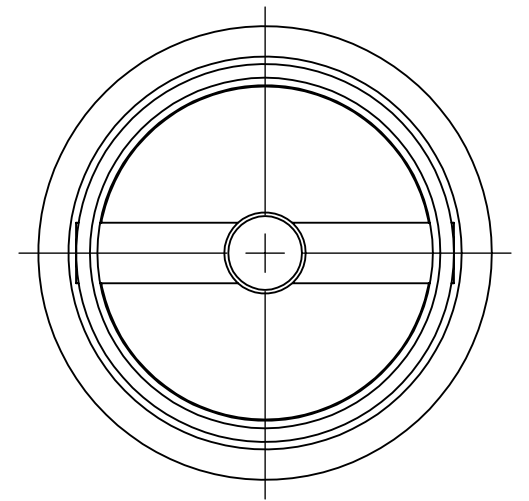
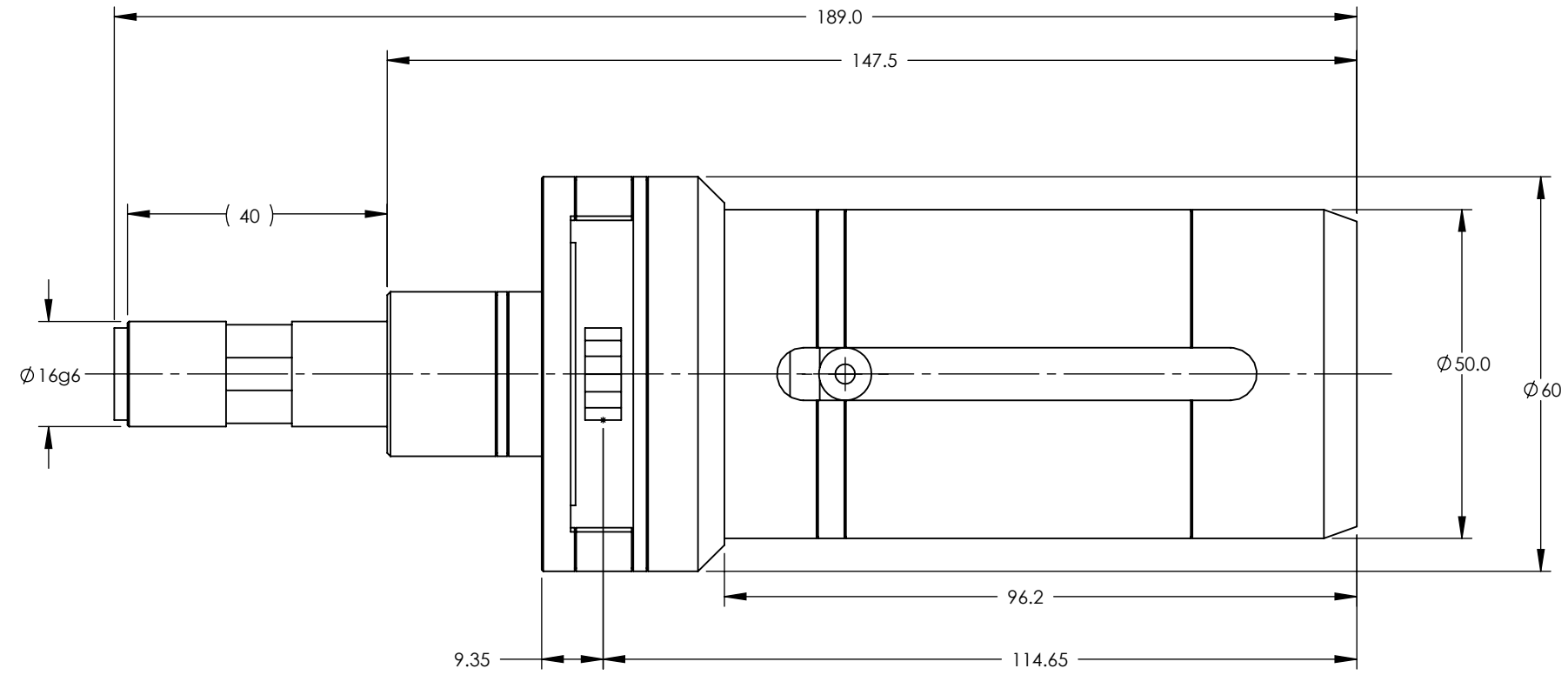
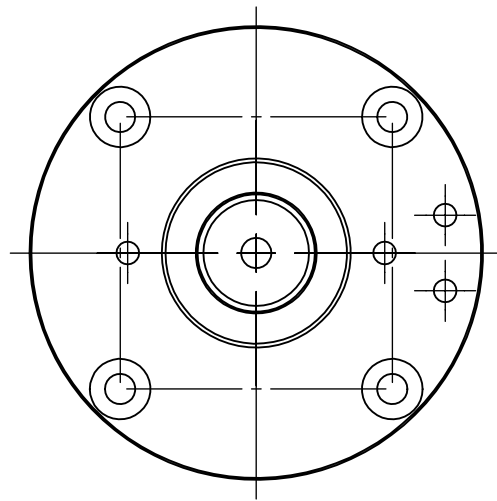
Xebec products are protected by intellectual property rights. Technical information, such as prints and programming files, are shared for the exclusive use of Xebec / Deburring Technology customers for their internal use only to assist with machine programming and manufacturing process development. No materials are to be reproduced for any other reason nor communicated in any form outside of the intended Xebec customer.



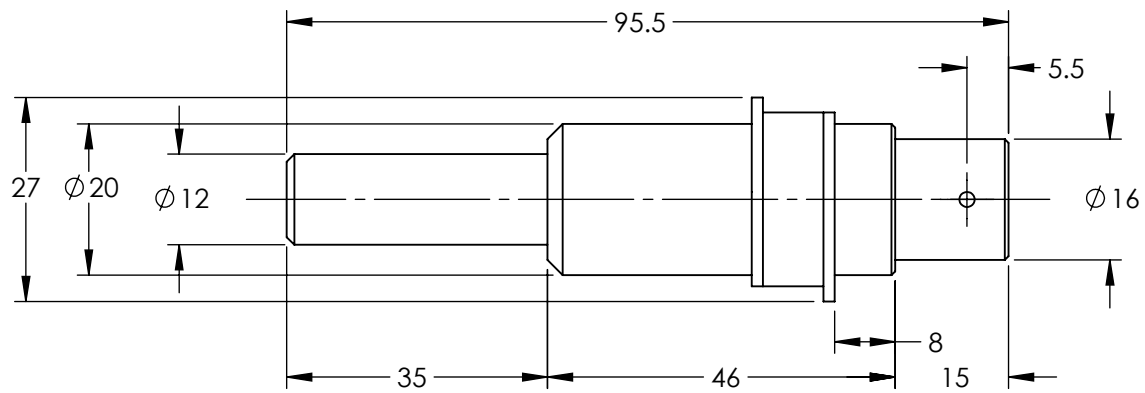
Xebec products are protected by intellectual property rights. Technical information, such as prints and programming files, are shared for the exclusive use of Xebec / Deburring Technology customers for their internal use only to assist with machine programming and manufacturing process development. No materials are to be reproduced for any other reason nor communicated in any form outside of the intended Xebec customer.



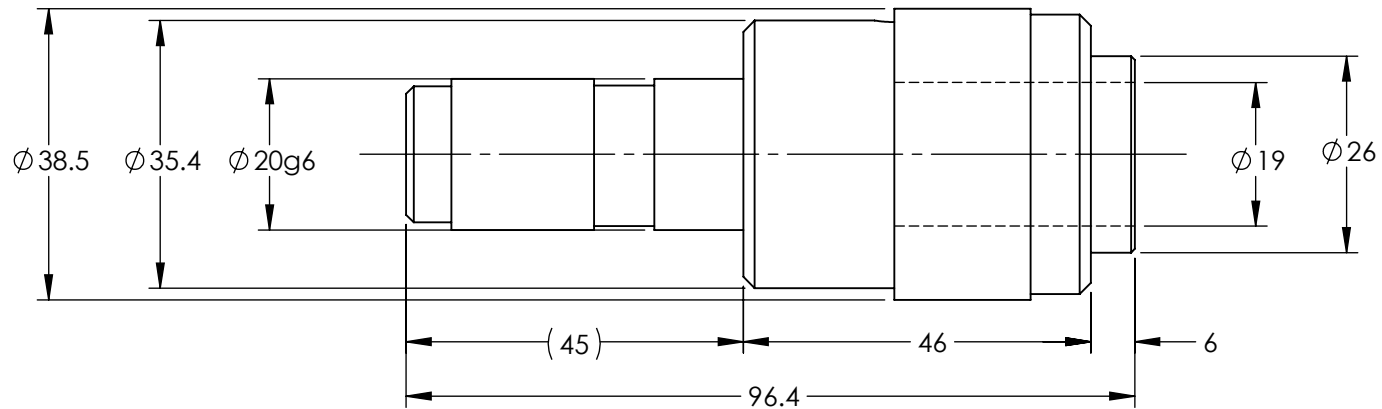
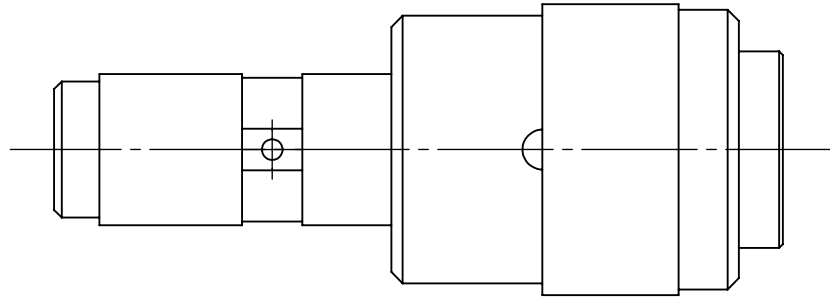
Xebec products are protected by intellectual property rights. Technical information, such as prints and programming files, are shared for the exclusive use of Xebec / Deburring Technology customers for their internal use only to assist with machine programming and manufacturing process development. No materials are to be reproduced for any other reason nor communicated in any form outside of the intended Xebec customer.



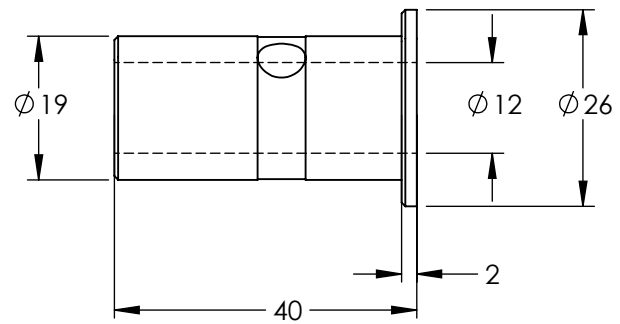
Xebec products are protected by intellectual property rights. Technical information, such as prints and programming files, are shared for the exclusive use of Xebec / Deburring Technology customers for their internal use only to assist with machine programming and manufacturing process development. No materials are to be reproduced for any other reason nor communicated in any form outside of the intended Xebec customer.



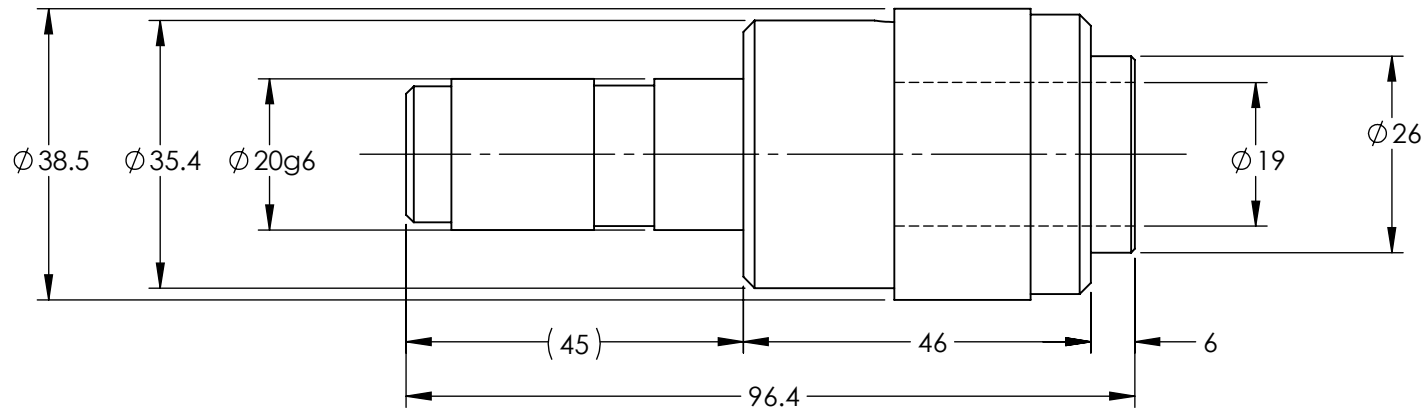
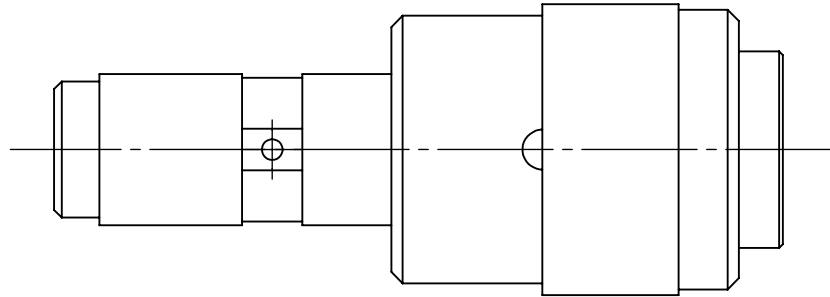
Xebec products are protected by intellectual property rights. Technical information, such as prints and programming files, are shared for the exclusive use of Xebec / Deburring Technology customers for their internal use only to assist with machine programming and manufacturing process development. No materials are to be reproduced for any other reason nor communicated in any form outside of the intended Xebec customer.



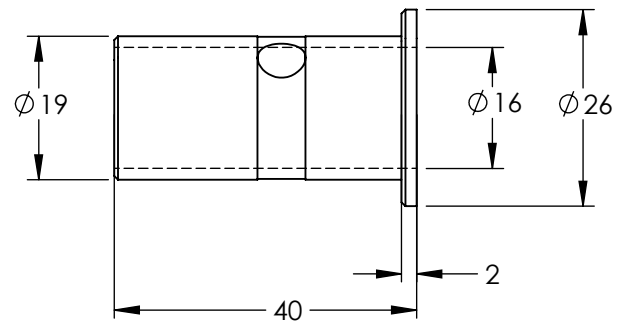
Xebec products are protected by intellectual property rights. Technical information, such as prints and programming files, are shared for the exclusive use of Xebec / Deburring Technology customers for their internal use only to assist with machine programming and manufacturing process development. No materials are to be reproduced for any other reason nor communicated in any form outside of the intended Xebec customer.



Xebec products are protected by intellectual property rights. Technical information, such as prints and programming files, are shared for the exclusive use of Xebec / Deburring Technology customers for their internal use only to assist with machine programming and manufacturing process development. No materials are to be reproduced for any other reason nor communicated in any form outside of the intended Xebec customer.



Xebec products are protected by intellectual property rights. Technical information, such as prints and programming files, are shared for the exclusive use of Xebec / Deburring Technology customers for their internal use only to assist with machine programming and manufacturing process development. No materials are to be reproduced for any other reason nor communicated in any form outside of the intended Xebec customer.



Xebec products are protected by intellectual property rights. Technical information, such as prints and programming files, are shared for the exclusive use of Xebec / Deburring Technology customers for their internal use only to assist with machine programming and manufacturing process development. No materials are to be reproduced for any other reason nor communicated in any form outside of the intended Xebec customer.