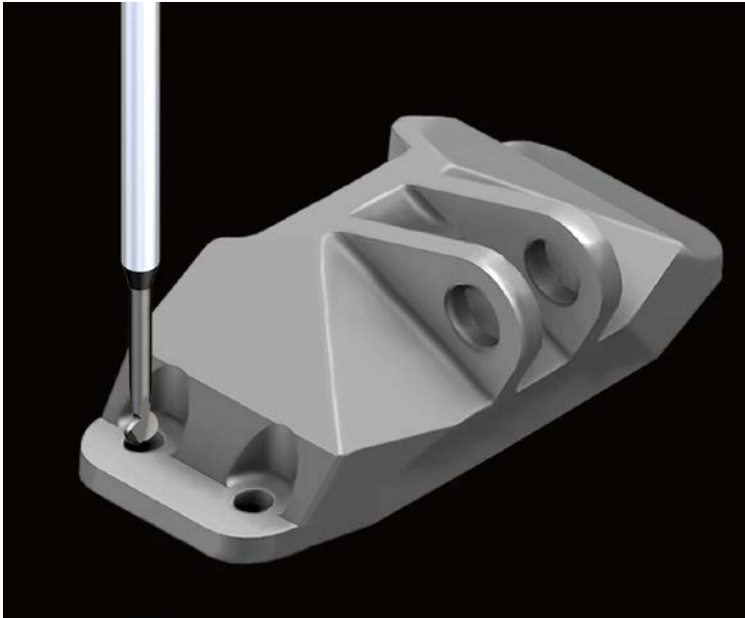


Engine Bracket



Workpiece information

Industry	Aerospace
Part name	Engine Bracket
Material type	Titanium Alloy
Cutting process	Crosshole Deburring

Processing conditions

Tool	XEBEC™ Back Burr Cutter (XC-98-A)
Processing detail	Deburring inside and outside edges of holes with chamfered edges.



Deburring after drilling

Tool > XEBEC Back Burr Cutter and Path™

Perfect for deburring both front and back of a drilled hole

